

1 Scope

The present specifications shall apply to a RU4C.

2 Outline

Type	Silicon Diode (Mesa Type)
Structure	Resin Molded Flammability:UL94-V0(Equivalent)
Applications	Pulse Rectification, etc.

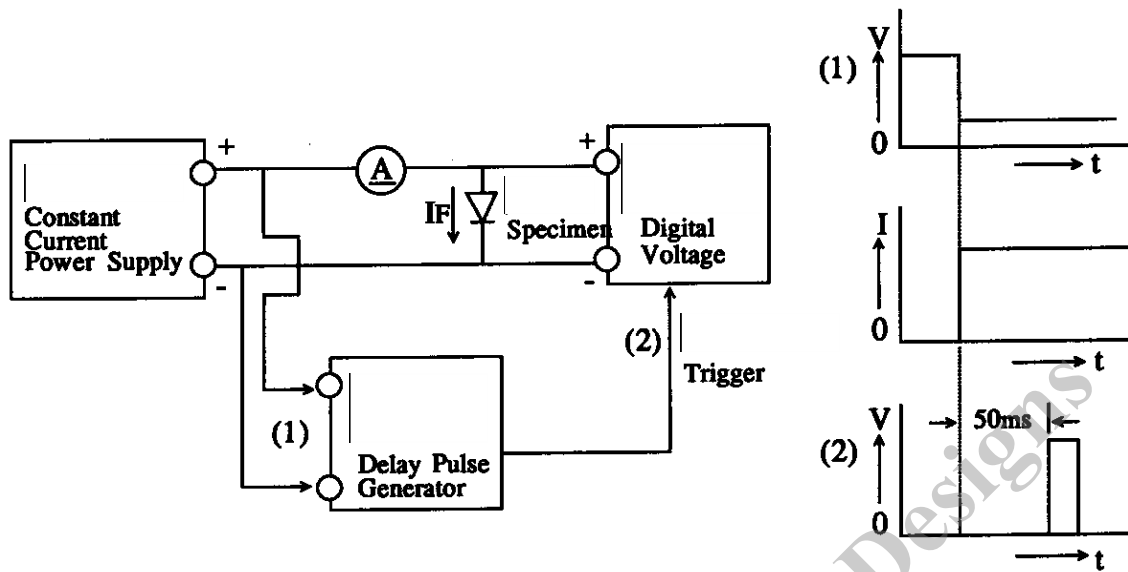
3 Absolute maximum ratings

No.	Item	Symbol	Unit	Rating	Conditions
1	Transient Peak Reverse Voltage	V_{RSM}	V	1050	
2	Peak Reverse Voltage	V_{RM}	V	1000	
3	Average Forward Current	$I_{F(AV)}$	A	1.5 (Ta=40°C)	With out Fin
				2.5 (Ta=60°C)	With Fin
4	Peak Surge Forward Current	I_{FSM}	A	50	10msec. Half sinewave, one shot
5	Junction Temperature	T_j	°C	-40 ~ +150	
6	Storage Temperature	T_{stg}	°C	-40 ~ +150	

4 Electrical characteristics (Ta=25°C, unless otherwise specified)

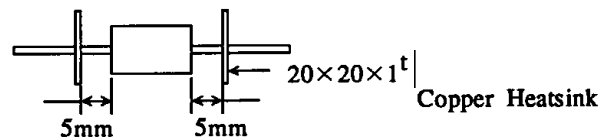
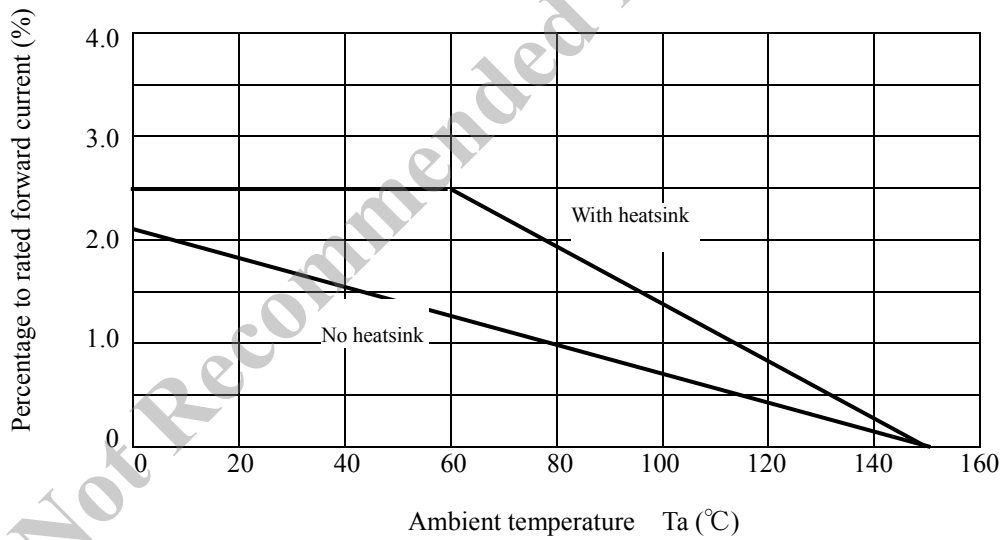
No.	Item	Symbol	Unit	Value	Conditions
1	Forward Voltage Drop	V_F	V	1.60 max.	$I_F=3.0A$
2	Reverse Leakage Current	I_R	μA	50 max.	$V_R=V_{RM}$
3	Reverse Leakage Current Under High Temperature	$H \cdot I_R$	μA	500 max.	$V_R=V_{RM}, T_j=100°C$
4	Reverse Recovery Time	Trr-1	μs	0.4 max.	$I_F=I_{RP}=0.1A,$ Ta=25°C 90% Recovery point
		Trr-2	μs	0.18 max.	$I_F=0.1A, I_{RP}=0.2A,$ Ta=25°C 75% Recovery point
5	Thermal Resistance	$R_{th(j-l)}$	°C/W	8 max.	Between Junction and Lead

5 V_F test and test circuit



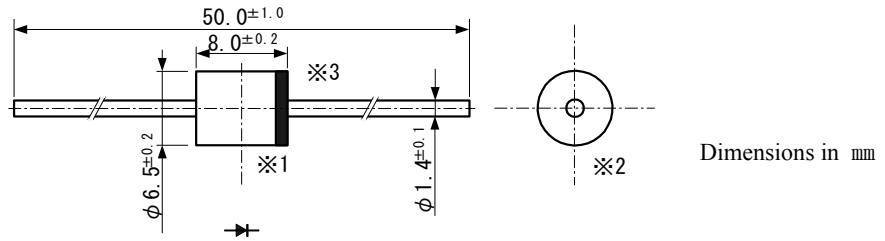
6 Derating

Derating to the ambient temperature.
 Power loss generated by voltage is not taken into consideration.



7 Package information

7-1 Package type, physical dimensions and material



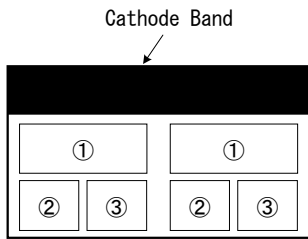
- ※1 Wire diameter of lead tips is ϕ 1.55mm(max.)
- ※2 The allowance position of body against the center of whole lead wire is 0.5mm (max.)
- ※3 The centric allowance of lead wire against center of physical body is 0.3mm (max.)
- ※4 The burr may exit up to 2mm from the body of lead

7-2 Appearance

The body shall be clean and shall not bear any stain, rust or flaw.

7-3 Marking

① Type number RU4C



- ② Lot number 1
 - First digit : Last digit of year
 - Second digit : Month
 - From 1 to 9 for Jan. to Sep.
 - O for Oct., N for Nov., and D for Dec.
- ③ Lot number 2 (ten days)
 - : Top of the month
 - : Middle of month
 - : End of month

The Type number and Lot number are to be marked in red.

Not Recommended for New Designs